

ODU MINI-SNAP



Series K - IP 68

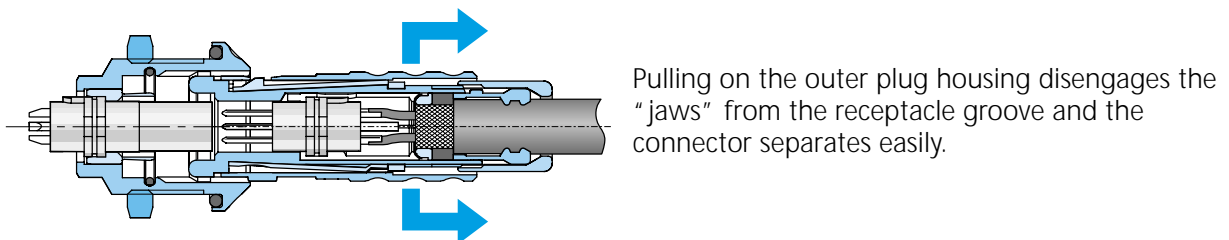
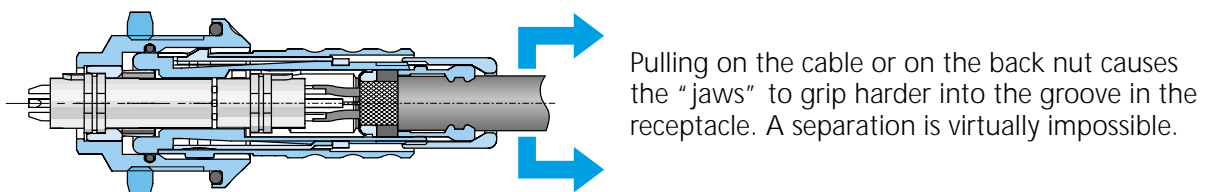
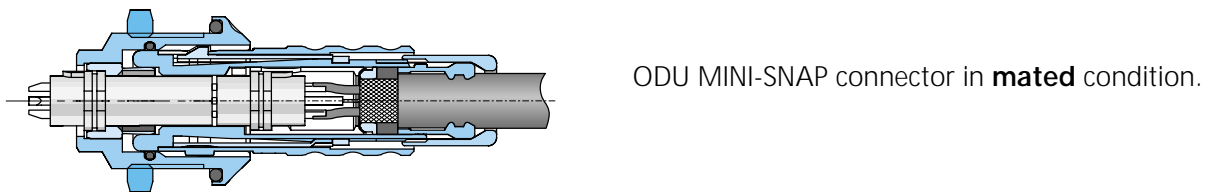
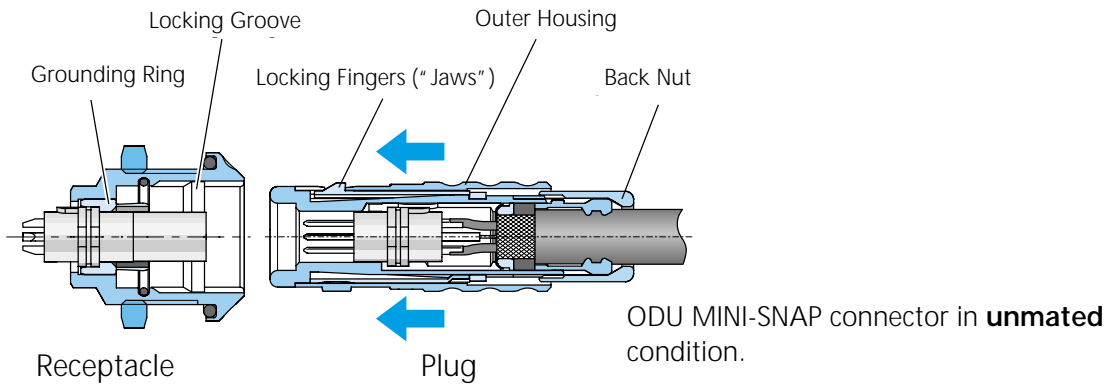
LP-Locking Concept

Keying with Pin and Groove



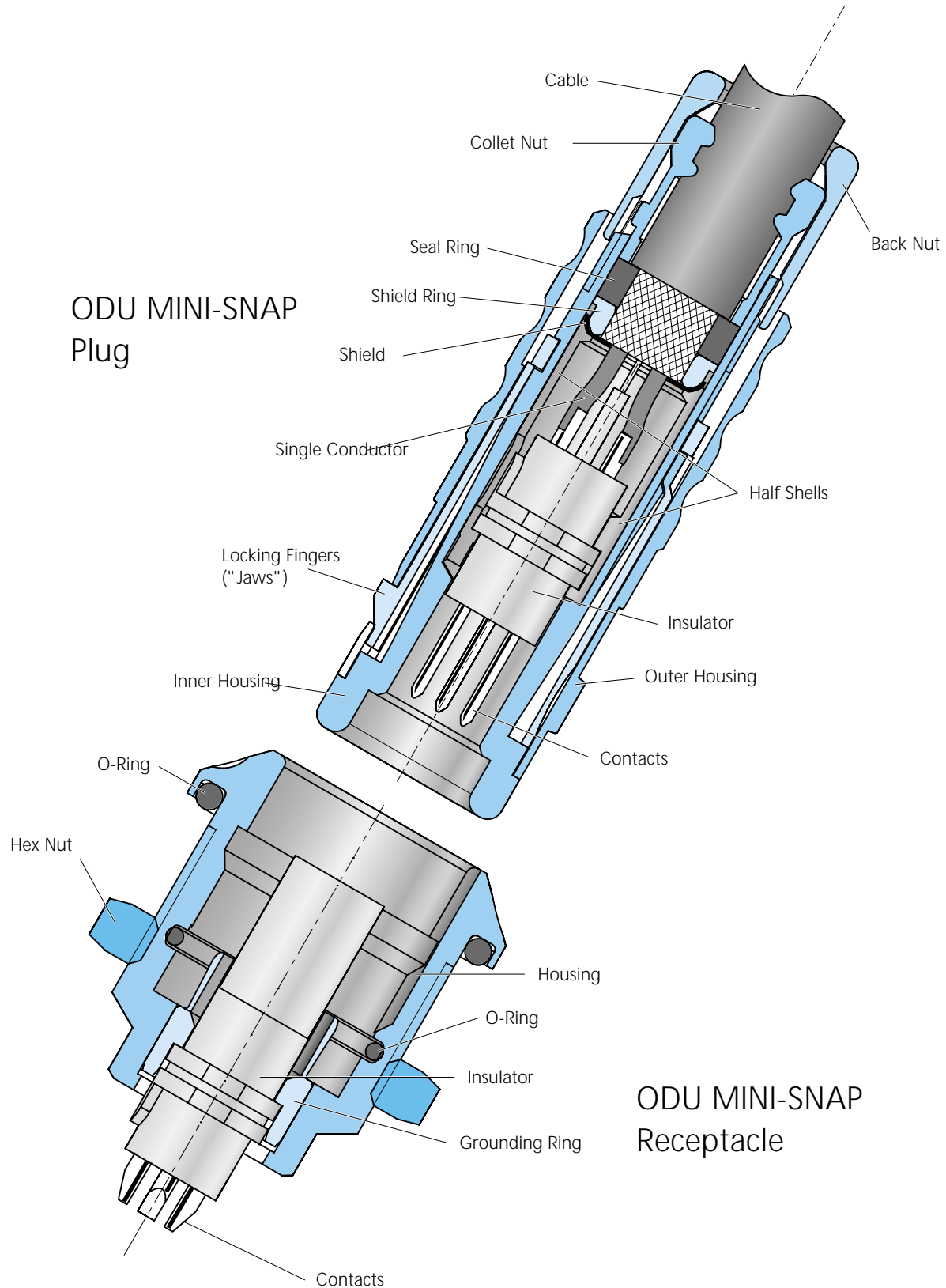
The Push-Pull Locking Principle: LP

with Jaws like LEMO® (see page 9)



ODU MINI-SNAP

with LP-Locking Scheme in Cross Section



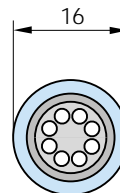
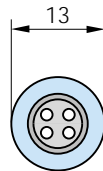
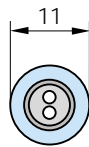
Available Housing Sizes

(Scale 1 : 1)

OD = Outside Diameter (Plug)

S = Size

OD:



S:

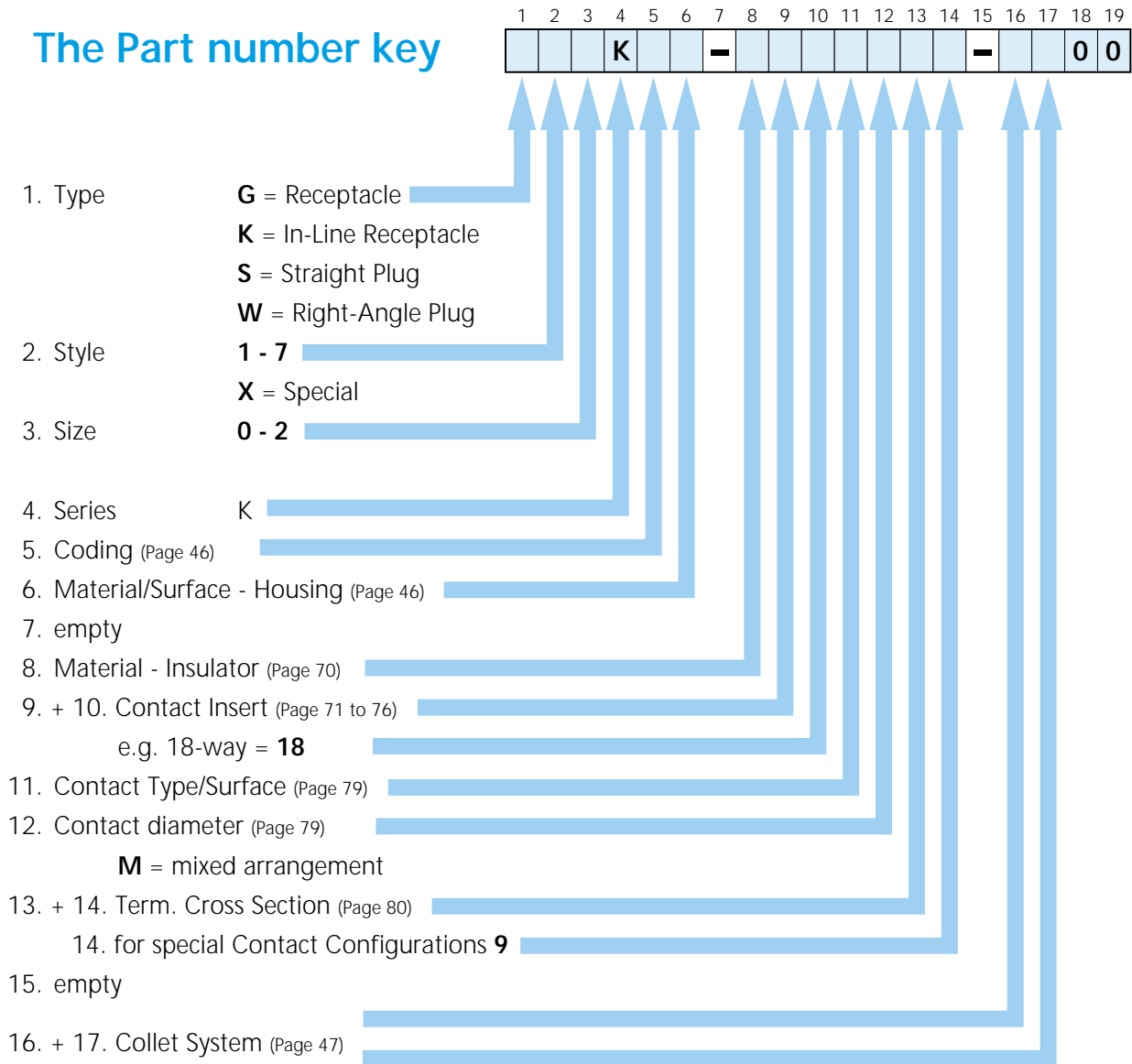
0

1

2

The Part number key

Part number key



Example:

1	2	3	4	5	6	7	8	9	10	11	12	13	14	15	16	17	18	19
G	3	2	K	F	C	-	T	1	6	N	F	G	0	-	0	0	0	0

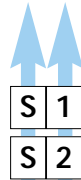
Receptacle - Style 3 - Size 2 - Series K - Coding 60° - Brass matt chromate Housing - PBT Insulator - 16pos. - Socket(crimp) 0,75 µm Au -Term. Cross Section AWG22

1	2	3	4	5	6	7	8	9	10	11	12	13	14	15	16	17	18	19
S	2	2	K	F	C	-	P	1	6	M	F	G	0	-	7	0	0	0

Plug - Style 2 - Size 2 - Series K - Coding 60° - Brass matt chromate Housing - PEEK Insulator - 16pos. - Pin (solder) 0,75 µm Au - Term. Cross Section AWG22 - Cable Diameter 6.0-7.2 mm

Part number key

1	2	3	4	5	6	7	8	9	10	11	12	13	14	15	16	17	18	19
			K			-								-			0	0



Straight Plug

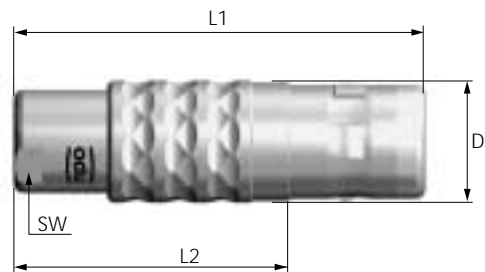
(Suitable for all following receptacles and in-line receptacles)

- S 1** - IP 68 – with Standard Back Nut
- S 2** - IP 68 – with Back Nut for Cable Bend Relief*

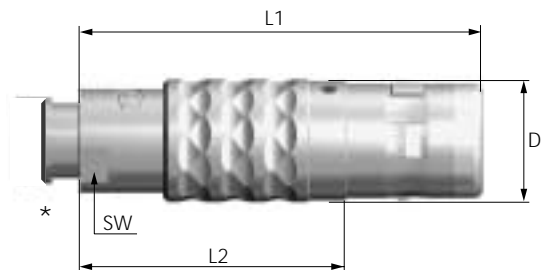


S 1

Contact configuration from page 71



S 2



Size	Dimensions in mm			
	L1	L2	D	SW
0	~ 35	~ 24	11	9
1	~ 47	~ 35	12	10
2	~ 50	~ 38	16	12

* Cable Bend Reliefs have to be ordered separately.
(see page 48)

Part number key

1	2	3	4	5	6	7	8	9	10	11	12	13	14	15	16	17	18	19
			K			-								-			0	0



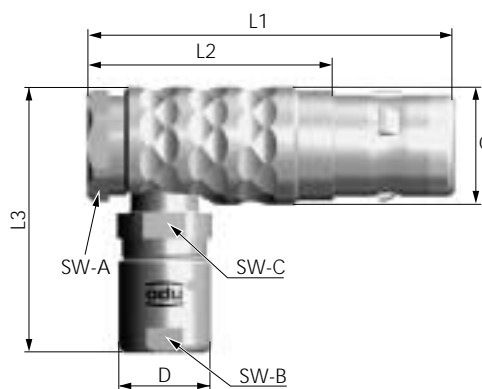
Right-Angle Plug

(Suitable for all following receptacles and in-line receptacles)

- W 1** - IP 68 – with Standard Back Nut
- W 2** - IP 68 – with Back Nut for Cable Bend Relief*

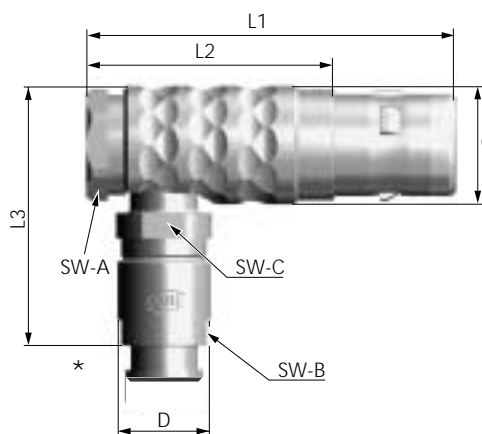
IP 68

W 1



Contact configuration from page 71

W 2



Size	Dimensions in mm							
	L1	L2	L3	C	D	SW-A	SW-B	SW-C
0	~ 34,7	23,2	~ 27	11,5	9	10	7	8
1	~ 43	28,7	~ 33	14	11	12	10	10

* Cable Bend Reliefs have to be ordered separately.
(see page 48)

Part number key

1	2	3	4	5	6	7	8	9	10	11	12	13	14	15	16	17	18	19
			K			-								-			0	0

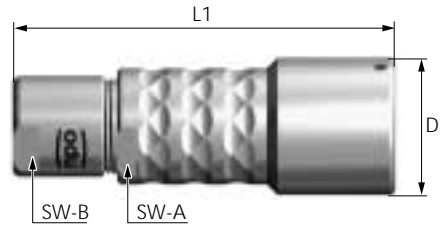
In-Line Receptacle

- K 1** - IP 68 – with Standard Back Nut
- K 2** - IP 68 – with Back Nut for Cable Bend Relief*

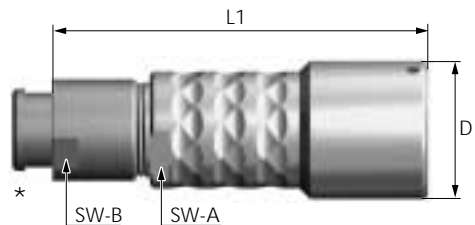
K 1



Contact configuration from page 71



K 2



Size	Dimensions in mm			
	L1	D	SW-A	SW-B
0	~ 38	13	9	7
1	~ 46	15	11	10
2	~ 54	19	14	12

* Cable Bend Reliefs have to be ordered separately.
(see page 48)

ODU MINI-SNAP In-line Receptacle connect to plug for cable-to-cable connection

Part number key

1	2	3	4	5	6	7	8	9	10	11	12	13	14	15	16	17	18	19
			K			-								-			0	0

¹⁾ L1 = Maximum Length incl. Contact insert
²⁾ L3 = Length of Housing

Receptacle

G 1 Style 1 – ODU MINI-SNAP RECEPTACLE IP 68, installation from front of panel

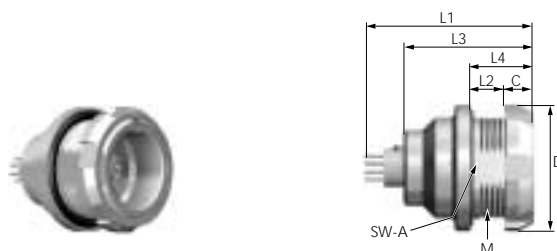


Technical Data

- IP 68 in mated condition
- anti-rotation feature
- contact configuration and PCB-Layout from page 71

Size	Dimensions in mm									Panel-Cut-Out
	L1	L2	L3	M	D	B	C	SW-A	SW-B	
0	20,7	5,5	15,5	14x1	18	19	4	12,5	17	SW 12,6 / Ø 14,1
1	28,0	9,0	20,5	16x1	20	21,5	4,5	14,5	19	SW 14,6 / Ø 16,1
2	31,0	9,0	23,0	20x1	25	29	5	18,5	25	SW 18,6 / Ø 20,1

G 3 Style 3 – ODU MINI-SNAP RECEPTACLE IP 68 WITH SLOTTED MOUNTING NUT, installation from rear of panel



Technical Data

- IP 68 in mated condition
- anti-rotation feature
- contact configuration and PCB-Layout from page 71
- Nutdriver, page 106

Size	Dimensions in mm									Panel Cut-Out
	L1	L2	L3	L4	M	D	C	SW-A		
0	21	3,0	15,5	7	14x1	18	4,0	12,5	SW 12,6 / Ø 14,1	
1	28	6,2	20,5	10	16x1	20	3,5	14,5	SW 14,6 / Ø 16,1	
2	31	6,2	23	10	20x1	25	3,5	18,5	SW 18,6 / Ø 20,1	

Part number key

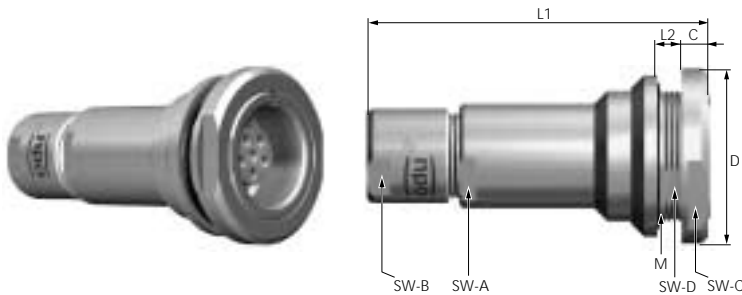
1	2	3	4	5	6	7	8	9	10	11	12	13	14	15	16	17	18	19
			K			-								-			0	0

¹⁾ L1 = Maximum Length incl. Contact Insert
²⁾ L3 = Length of Housing

G 6

Receptacle

Style 6 – ODU MINI-SNAP Receptacle IP68, WITH STRAIN RELIEF, installation of rear of panel



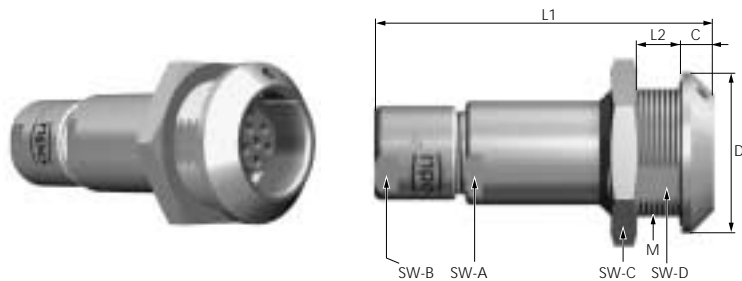
Technical Data

- IP 68 in mated condition
- anti-rotation feature
- Contact configuration from page 71

Size	Dimensions in mm									Panel Cut-Out
	L1	L2	M	D	C	SW-A	SW-B	SW-C	SW-D	
2	~ 54	4	20x1	27	4	14	12	24	18,5	SW 18,6 / Ø 20,1

G 7

Style 7 – ODU MINI-SNAP RECEPTACLE IP 68, WITH STRAIN RELIEF, installation from front of panel

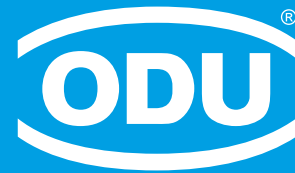
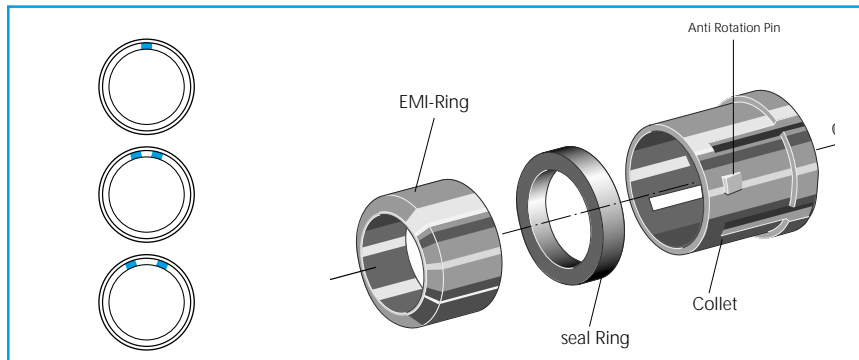


Technical Data

- IP 68 in mated condition
- anti-rotation feature
- Contact configuration from page 71

Size	Dimensions in mm									Panel Cut-Out
	L1	L2	M	D	C	SW-A	SW-B	SW-C	SW-D	
2	~ 54	8	20x1	25	5	14	12	25	18,5	SW 18,6 / Ø 20,1

Details for the Part Number Key:



Keying
Housing Materials / Surfaces
Collet System
Bend Protection Sleeves



Coding

Part number key

1	2	3	4	5	6	7	8	9	10	11	12	13	14	15	16	17	18	19
			K		-									-			0	0

	Angle	Receptacle Front View	Size		
			0	1	2
O	0°		●	●	●
A	30°		●	●	●
C	45°		●	●	●
F	60°		●	●	●
H	75°		○	○	○
K	95°		○	○	○
Q	120°		○	○	○
W	145°		○	○	○

● Standard
○ On request

Housing Materials / Surfaces

Part number key

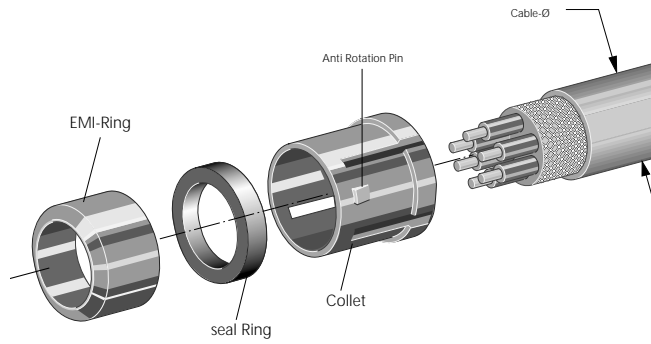
1	2	3	4	5	6	7	8	9	10	11	12	13	14	15	16	17	18	19
			K		-									-			0	0

C	Standard Cu-alloy / matt chromate
	Special materials and surfaces on request.
N	Cu-alloy / nickel
S	Cu-alloy / black chromate

Collet System

Part number key

1	2	3	4	5	6	7	8	9	10	11	12	13	14	15	16	17	18	19
			K			-								-			0	0



Useable: for all Plugs and In-Line Receptacles.

Application: Collet nut for strain relief.

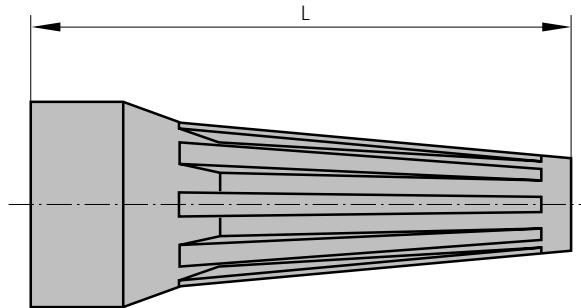
Cable diameter in mm	Size		
	0	1	2
> 1,5 - 2,0	●	●	
> 2,0 - 2,5	●	●	
> 2,5 - 3,0	●	●	●
> 3,0 - 3,5	●	●	●
> 3,5 - 4,0	●	●	●
> 4,0 - 4,5	●	●	●
> 4,5 - 5,0	●	●	●
> 5,0 - 5,5		●	●
> 5,5 - 6,0		●	●
> 6,0 - 6,5		●	●
> 6,5 - 7,0		●	●
> 7,0 - 7,5			●
> 7,5 - 8,0			●
> 8,0 - 8,5			●
> 8,5 - 9,0			●
without cable collet			



2	0
2	5
3	0
3	5
4	0
4	5
5	0
5	5
6	0
6	5
7	0
7	5
8	0
8	5
9	0
0	0

Cable Bend Relief

(Have to be ordered separately)



* = In ... please indicate color code

Size	Part Number*	Dim L	Cable O.D.	
			min.	max.
0	700 022 ... 960 020	27	> 2,0	2,5
0	700 022 ... 960 025	27	> 2,5	3,0
0	700 022 ... 960 030	27	> 3,0	3,5
0	700 022 ... 960 035	27	> 3,5	4,0
0	700 022 ... 960 040	27	> 4,0	4,5
0	700 022 ... 960 045	27	> 4,5	5,0
1	701 022 ... 960 025	30	> 2,5	3,0
1	701 022 ... 960 030	30	> 3,0	3,5
1	701 022 ... 960 035	30	> 3,5	4,0
1	701 022 ... 960 040	30	> 4,0	5,0
1	701 022 ... 960 050	30	> 5,0	6,0
1	701 022 ... 960 060	30	> 6,0	6,5
1	701 022 ... 960 070	30	> 6,5	7,5
2	702 022 ... 960 030	36	> 3,0	3,5
2	702 022 ... 960 035	36	> 3,5	4,0
2	702 022 ... 960 040	36	> 4,0	5,0
2	702 022 ... 960 050	36	> 5,0	6,0
2	702 022 ... 960 060	36	> 6,0	7,0
2	702 022 ... 960 070	36	> 7,0	8,0
2	702 022 ... 960 080	36	> 8,0	9,0

Color Code	Color	RAL-Nr. Similar
202	red	3020
203	white	9010
204	yellow	1016
205	green	6029
206	blue	5002
207	grey	7005
208	black	9005
209	orange	2004
210	violet	4005
212	brown	8016
215	light green	6018
216	light blue	5012

Temperature range

PUR -40 °C up to +80 °C
Short-term up to +120 °C

On request:

Silicone -50 °C up to +200 °C
Short-term up to +230 °C